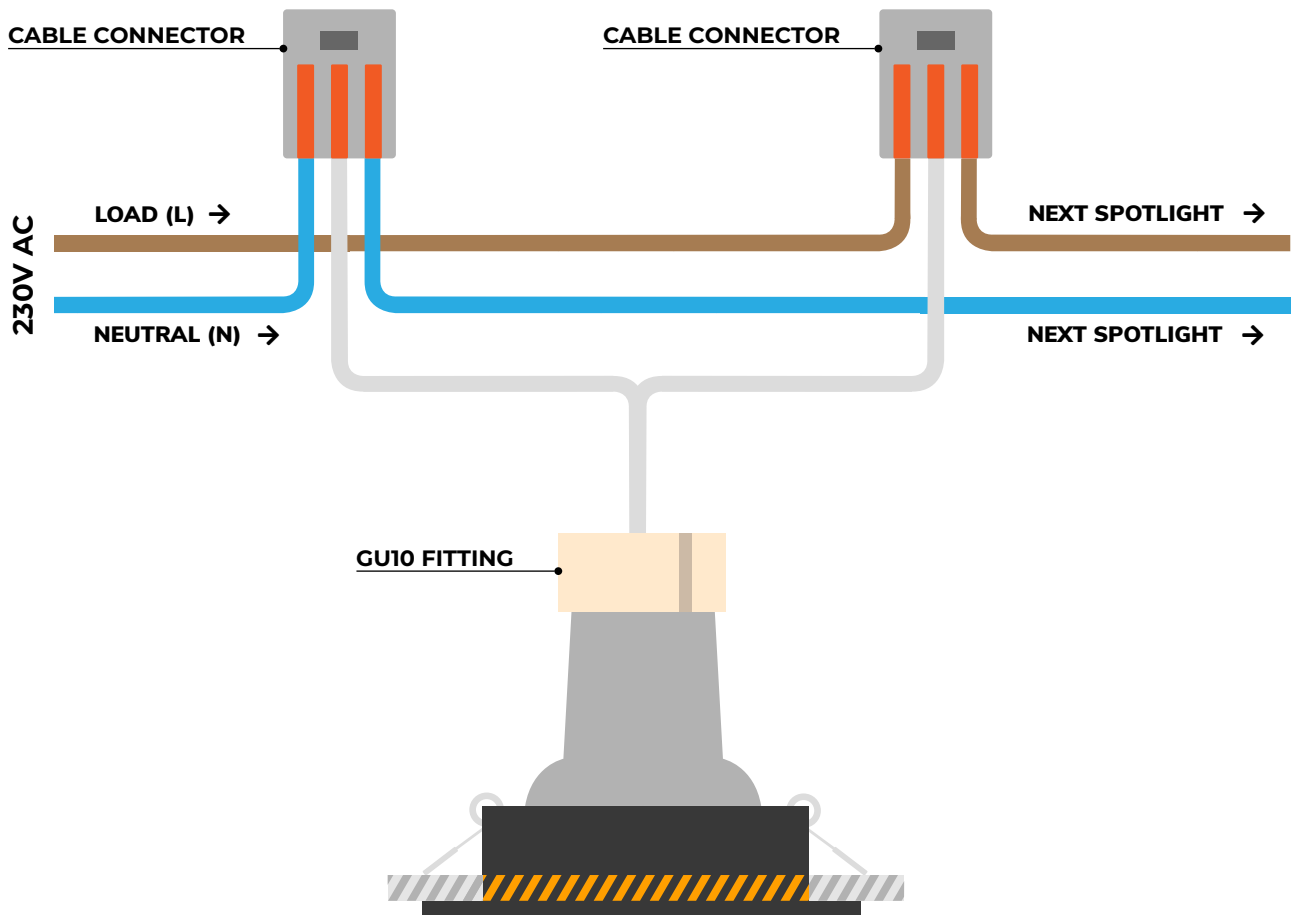


GU10 230V AC WIRING DIAGRAM

Always turn off the power before starting the installation.
When in doubt: consult a professional or contact www.into-led.com



STEP-BY-STEP INSTALLATION

STEP 1:

Drill a hole in your ceiling. The packaging of the fixture lists the size of the recommended recess.

STEP 2:

Connect the GU10 fitting to the power according to the diagram on the front of this card.

Important: The wires of the GU10 fitting should be stripped for about 11mm.

STEP 3:

Connect the GU10 LED lightbulb to the GU10 fitting and secure the lightbulb in the fixture.

STEP 4:

Insert the fixture into the recess. Turn the power back on.



+31 (0)85 130 4186

Ma t/m Vrij
9.00 – 12:30 & 13:00 - 17:00



info@into-led.com