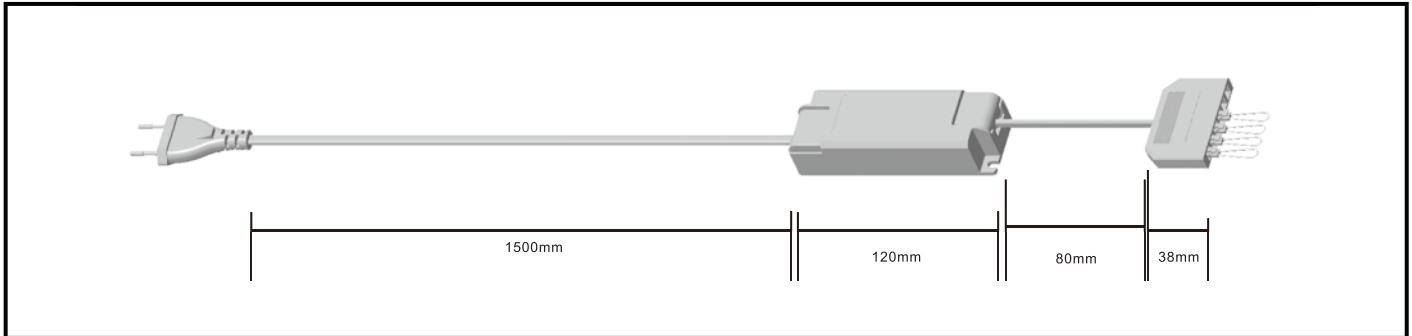


## Instruction manual

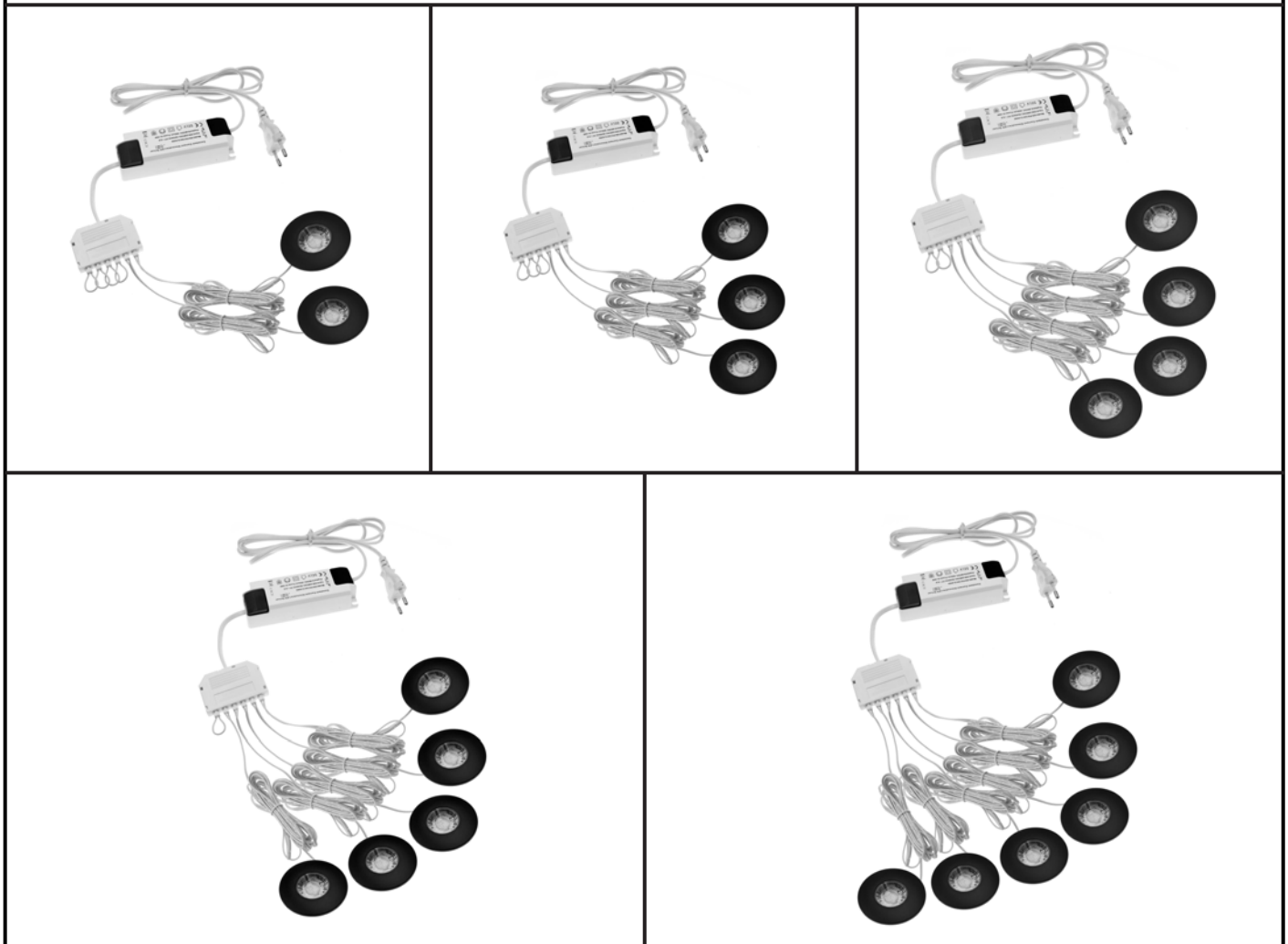
### Dimmable LED Driver

Input: 220V~240VAC 50-60 Hz PF>0.9  
Output: 9~40VDC 400mA Power: 6~18W



#### Note !

1. Please disconnect the plug from the power supply before connecting the spotlights.
2. Ensure that least 2 pieces and a maximum of 6 pieces 3W spotlights are connected in the dimmable driver.
3. Plug in the power after all spotlights are connected.



EN: Only to be installed by an authorized electrician